

# MX series

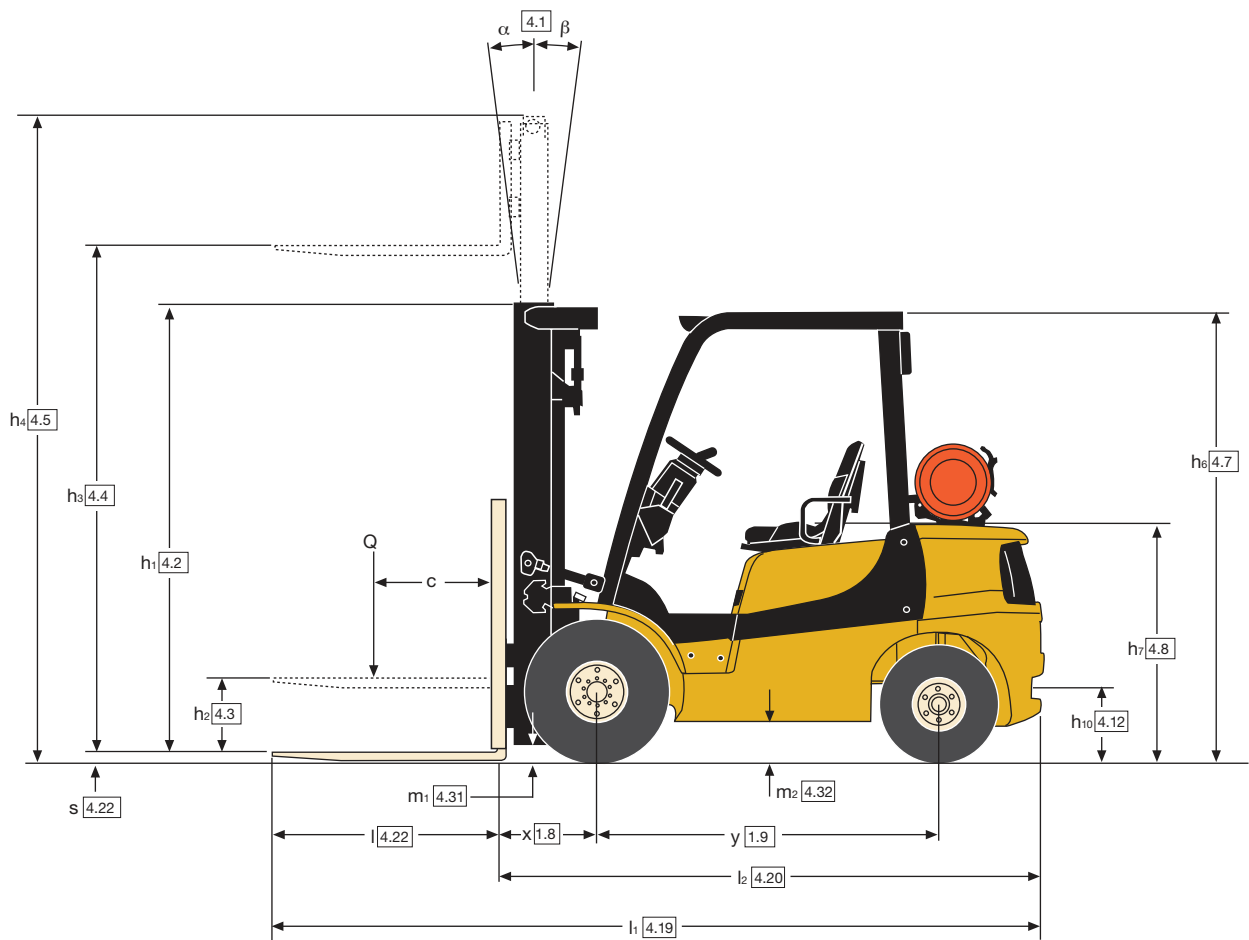
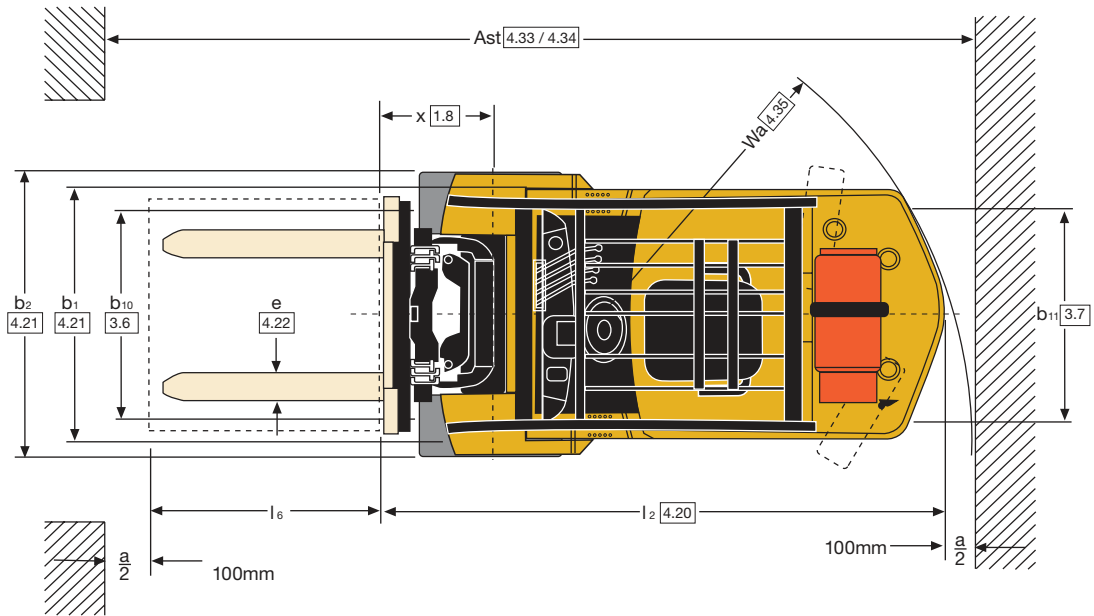
2,000kg / 2,500kg / 3,000kg

## Diesel, LPG and Dual-fuel Forklift Trucks



- Electronic Powershift transmission delivers fast load handling
- Proven components ensure excellent reliability and high productivity
- Wide range of optional extras

# Truck Dimensions



## GDP/GLP 20MX mast details and capacity ratings (kg) - Superelastic tyres

Model							GDP/GLP 20MX					
Tyre size, front							7.00 x 12-12					
Overall width, front							1140mm					
Mast	h <sub>1</sub> (mm)	h <sub>2+s</sub> (mm)	h <sub>3+s</sub> (mm)	h <sub>4</sub> (mm)	Tilt		Forks			ISS & FP		
					F	B	Load centre (kg)			Load centre (kg)		
							500	600	700	500	600	700
2 Stage LFL	2170	140	3290	4515	6	6	2000	1840	1680	1940	1760	1610
	2420	140	3790	5015	6	6	2000	1830	1670	1930	1750	1610
	2770	140	4330	5555	6	6	2000	1820	1660	1910	1740	1590
	3020	140	4830	6055	6	6	1900	1720	1570	1810	1650	1510
3 Stage FFL	2020	1380	4350	5570	6	6	2000	1820	1660	1910	1730	1590
	2170	1580	4950	6170	6	6	1880	1700	1560	1790	1620	1490
	2420	1830	5550	6770	6	6	1730	1570	1440	1650	1500	1380
	2620	2030	6000	7220	6	6	1510	1470	1340	1510	1400	1280

## GDP/GLP 25MX mast details and capacity ratings (kg) - Superelastic tyres

Model							GDP/GLP 25MX					
Tyre size, front							7.00 x 12-12					
Overall width, front							1140mm					
Mast	h <sub>1</sub> (mm)	h <sub>2+s</sub> (mm)	h <sub>3+s</sub> (mm)	h <sub>4</sub> (mm)	Tilt		Forks			ISS & FP		
					F	B	Load centre (kg)			Load centre (kg)		
							500	600	700	500	600	700
2 Stage LFL	2170	140	3290	4515	6	6	2490	2290	2100	2420	2200	2020
	2420	140	3790	5015	6	6	2490	2280	2090	2410	2190	2010
	2770	140	4330	5555	6	6	2490	2270	2080	2400	2180	2000
	3020	140	4830	6055	6	6	2390	2160	1980	2280	2080	1900
3 Stage FFL	2020	1380	4350	5570	6	6	2490	2270	2080	2390	2170	1990
	2170	1580	4950	6170	6	6	2360	2140	1960	2260	2050	1880
	2420	1830	5550	6770	6	6	1800	1800	1800	1800	1800	1750
	2620	2030	6000	7220	6	6	1450	1450	1450	1450	1450	1450

## GDP/GLP 30MX mast details and capacity ratings (kg) - Superelastic tyres

Model							GDP/GLP 30MX					
Tyre size, front							28 x 9-15					
Overall width, front							1206mm					
Mast	h <sub>1</sub> (mm)	h <sub>2+s</sub> (mm)	h <sub>3+s</sub> (mm)	h <sub>4</sub> (mm)	Tilt		Forks			ISS & FP		
					F	B	Load centre (kg)			Load centre (kg)		
							500	600	700	500	600	700
2 Stage LFL	2195	150	3105	3105	6	6	2940	2760	2520	2900	2640	2420
	2445	150	3605	3605	6	6	2940	2750	2510	2890	2630	2410
	2795	150	4105	4105	6	6	2940	2730	2500	2860	2610	2390
	3045	150	4605	4605	6	6	2840	2620	2400	2750	2510	2300
3 Stage FFL	2045	1315	4015	4015	6	6	2940	2730	2500	2860	2600	2390
	2195	1515	4615	4615	6	6	2820	2610	2380	2730	2490	2280
	2345	1665	4915	4915	6	6	2760	2540	2320	2660	2420	2220
	2445	1765	5215	5215	6	6	2690	2460	2260	2580	2350	2160
	2695	2015	5815	5815	6	6	2180	2180	2110	2180	2180	2020

All values are nominal values and they are subject to tolerances.  
For further information, please contact the manufacturer.  
Yale products might be subject to change without notice.

Lift trucks illustrated may feature optional equipment.  
Values may vary with alternative configurations.

## Engine Specifications

### Diesel

<b>Engine</b>	<b>Yanmar 4TNE92</b>
4 cylinder	Overhead valve
Displacement	2.6 litre
Power	33kW @ 2,350rpm
Torque	143Nm @ 1,600rpm
Air filtration	Single stage, dry type
IDI fuel injection system	

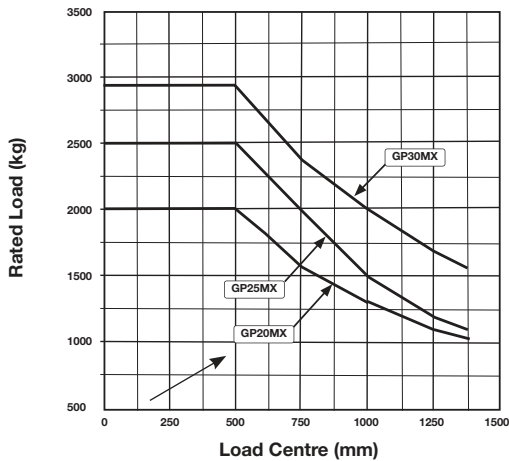
### LPG

<b>Engine</b>	<b>PSI</b>
4 cylinder	Overhead
Displacement	2.4 litre
Power	46kW @
Torque	168Nm @
1,600rpm	Air filtration
Single stage, dry type	

**Stage V compliance (LPG only):** To comply with Stage V regulations all trucks will be fitted with a catalytic convertor to treat the engine exhaust and bring it within the legal requirements.

The change to stage V engines does not adversely affect the truck performance or productivity and acceleration and lifting/lowering speeds remain unchanged.

### Rated Load vs. Load Centre - Standard Carriage



#### Truck configuration:

2 stage LFL mast (4330mm MFH for GDP20-25MX and 4105mm MFH for GDP30MX).  
1067mm Standard carriage with Load Backrest.

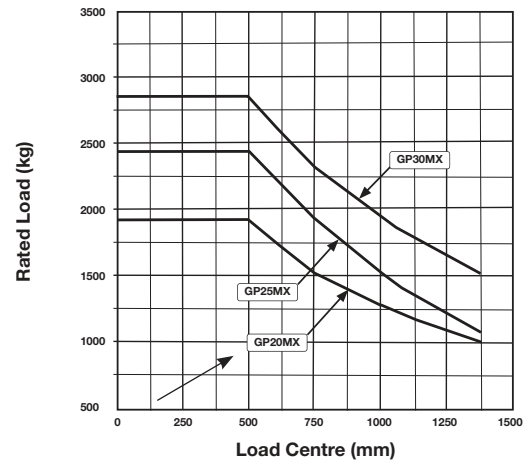
#### Basic truck:

LPG with 1 speed basic transmission and Overhead Guard.

The ratings are computed using fork lengths as follows;

	Load centre (mm)	Fork length (mm)
All models	500 to 775	2 x LC
	Over 775 to 1067	1525
	Over 1067	1825

### Rated Load vs. Load Centre - ISS Carriage



#### Truck configuration:

2 stage LFL mast (4330mm MFH for GDP20-25MX and 4105mm MFH for GDP30MX).  
1067mm Standard carriage with Load Backrest.

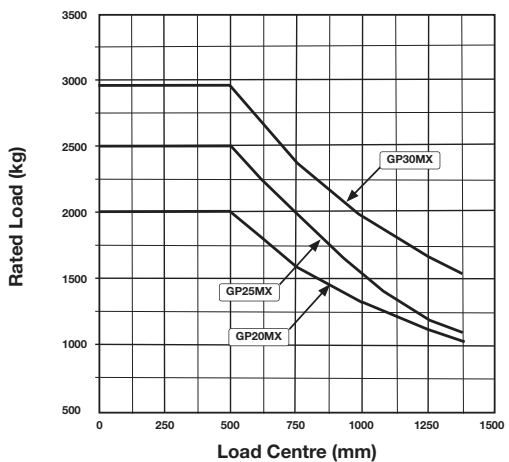
#### Basic truck:

LPG with 1 speed basic transmission and Overhead Guard.

The ratings are computed using fork lengths as follows;

	Load centre (mm)	Fork length (mm)
All models	500 to 775	2 x LC
	Over 775 to 1067	1525
	Over 1067	1825

### Rated Load vs. Load Centre - Standard Carriage



#### Truck configuration:

3 stage FFL mast at HNHL (4350mm MFH for GDP20-25MX and 4015mm for GDP30MX).  
1067mm standard carriage with load backrest.

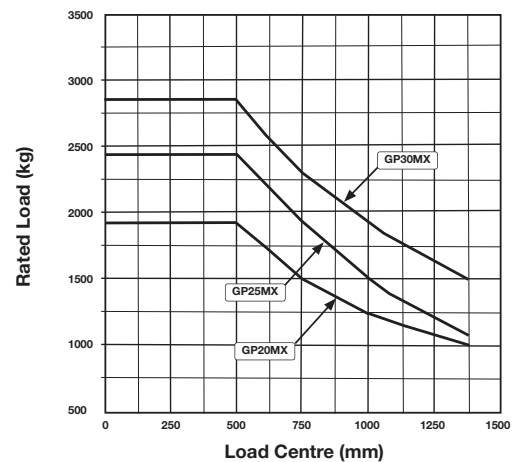
#### Basic truck:

LPG with 1 speed basic transmission and Overhead Guard.

The ratings are computed using fork lengths as follows;

	Load centre (mm)	Fork length (mm)
All models	500 to 775	2 x LC
	Over 775 to 1067	1525
	Over 1067	1825

### Rated Load vs. Load Centre - ISS Carriage



#### Truck configuration:

3 stage FFL mast at HNHL (4350mm MFH for GDP20-25MX and 4015mm for GDP30MX).  
1067mm standard carriage with load backrest.

#### Basic truck:

LPG with 1 speed basic transmission and Overhead Guard.

The ratings are computed using fork lengths as follows;

	Load centre (mm)	Fork length (mm)
All models	500 to 775	2 x LC
	Over 775 to 1067	1525
	Over 1067	1825

## MX20, MX25, MX30 - Standard and Optional Features

Standard	Optional
<b>Front End Equipment</b> 2-Stage limited free lift High Vis mast with 3290mm (GP20-25MX) / 3105mm (GP30MX) Hook-type carriage with 1219mm high load backrest (LBR) 1000mm long forks	<b>Front End Equipment</b> 2-Stage limited free lift High Vis masts with up to 4830mm lift height 2-Stage full free lift High Vis masts with up to 4605mm lift height 3-Stage full free lift High Vis masts with up to 6000mm lift height Integral side shift (ISS) carriage Fork lengths are available from 1000mm to 1200mm
<b>Engine / Drivetrain / Brakes</b> PSI 2.4L LPG engine on GLP20-30MX Yanmar 2.6L Diesel engine on GDP20-30MX Automatic transmission with: <ul style="list-style-type: none"> <li>• Mechanical inching</li> <li>• Neutral start function</li> </ul> Lever directional control Self-adjusting drum brakes Super-elastic tyres	<b>Engine / Drivetrain / Brakes</b> Heavy duty clutch Foot Directional Control (FDC) Heavy duty drum brakes Non-marking super-elastic tyre (divided Rim) Premium super-elastic tyre (single piece rim) Pneumatic radial tyre (single piece rim). Note: 2.0-2.5T can take 28 x 9 x 15 tyre
<b>Controls and Instrumentation</b> Combined inch / brake pedal 2-function cowl-mounted hydraulic controls LCD panel with: <ul style="list-style-type: none"> <li>• Hour meter</li> <li>• Fasten seatbelt indicator</li> <li>• Fuel level with low fuel audible alarm (Petrol and Diesel fuel only)</li> <li>• Real time clock</li> </ul> Service Indicators: <ul style="list-style-type: none"> <li>• Service required</li> <li>• Error message</li> <li>• Coolant temperature with high temperature warning buzzer</li> <li>• Alternator with warning buzzer</li> <li>• Transmission oil temperature with warning buzzer</li> <li>• Engine oil pressure with low pressure warning buzzer</li> <li>• Glow lamp (Diesel fuel engine only)</li> <li>• Sedimeter with warning buzzer (Diesel fuel engine only)</li> </ul>	<b>Controls and Instrumentation</b> Separate inch-brake and brake pedals for sure handling on steep inclines 3-function cowl-mounted hydraulic controls with interlock for clamping 4-function cowl-mounted hydraulic controls with or without interlock for clamping Speedometer with speed alarm and warning buzzer
<b>Seats</b> Comfort vinyl full suspension seat	<b>Seats</b> Full-suspension vinyl or cloth seat (Cloth seat available with full cabin options)
<b>Cabin</b> Over Head Guard (OHG) with rain gutter and cup holder 80dB(A) standard noise level for LPG engine option 81dB(A) standard noise level for Diesel engine option	<b>Cabin</b> Overhead Guard without Cab – accommodates front, top, rear cab panel options and the PVC doors. Overhead Guard with Cab with steel doors option. Cabs can be retro-fitted.
<b>Environmental</b> 5in. Cyclone type air cleaner (LPG) 6.5in. Cyclone type air cleaner (Diesel) Horizontal exhaust Serpentine core radiator	<b>Environmental</b> Dual element air filter for LPG engine option Tandem air filter for Diesel engine option Vertical exhaust 2-way catalytic muffler Spark arrestor muffler Large capacity battery
<b>Other</b> Hydraulic cut-out seat interlock (prevents use of hydraulics when operator is not on seat) Electric horn Rubber floor mat Integral tie downs Operator's manual Operator's seat belt Adjustable steering column 12 months / 2,000 hours manufacturer's warranty	<b>Other</b> 2 rear vision mirrors Rotating flasher beacon Light Kit consisting of 2 Halogen front head lights 2 front turn indicators plus rear combination (turn indicators, reversing and brake) lights and reverse alarm Additional front work light Rear work light (switches or reverse operated)



Yale	Yale	Yale		Manufacturer (abbreviation)	1.1	Distinguishing mark
<b>GLP 20MX</b>	<b>GLP 25MX</b>	<b>GLP 30MX</b>		Manufacturer's type designation	1.2	
PSI 2.4L	PSI 2.4L	PSI 2.4L		Engine		
Standard Electronic 1-speed	Standard Electronic 1-speed	Standard Electronic 1-speed		Transmission		
Drum Brakes	Drum Brakes	Drum Brakes		Brake Type		
LPG	LPG	LPG		Drive: electric (battery or mains), diesel, petrol, LPG	1.3	
Seat	Seat	Seat		Operator type: hand, pedestrian, standing, seated, order-picker	1.4	
2.0	2.5	3.0	Q (t)	Rated capacity/rated load	1.5	
500	500	500	c (mm)	Load centre distance	1.6	
471	471	478	x (mm)	Load distance, centre of drive axle to fork	1.8	
1623	1623	1700	y (mm)	Wheelbase	1.9	
3545	3880	4457	kg	Service weight	2.1	Weights
4853 / 692	5570 / 804	6409 / 996	kg	Axle loading, laden front / rear	2.2	
1656 / 1889	1583 / 2296	1759 / 2701	kg	Axle loading, unladen front / rear	2.3	
SE	SE	SE		Tyres: P = pneumatic, V = cushion, SE = superelastic	3.1	Tyres / chassis
7.00 x 12-12	7.00 x 12-12	28 x 9 - 15		Tyre size, front	3.2	
6.00 x 9	6.00 x 9	6.50 x 10		Tyre size, rear	3.3	
2 x /2	2 x /2	2 x /2		Wheels, number front / rear (x = driven wheels)	3.5	
970	970	970	b <sub>10</sub> (mm)	Tread, front	3.6	
993	993	993	b <sub>11</sub> (mm)	Tread, rear	3.7	
6 / 6	6 / 6	6 / 6	α / β (°)	Tilt of mast / fork carriage forward / backward	4.1	
2170	2170	2195	h <sub>1</sub> (mm)	Height, mast lowered	4.2	Dimensions
140	140	150	h <sub>2</sub> (mm)	Free lift ▲	4.3	
3290	3290	3105	h <sub>3</sub> (mm)	Lift ▲	4.4	
4515	4515	4335	h <sub>4</sub> (mm)	Height, mast extended ▬	4.5	
2228 / 2188 / 2128	2228 / 2188 / 2128	2250 / 2210 / 2150	h <sub>6</sub> (mm)	Height of overhead guard (High/Intermediate) ○	4.7	
2236 / 2196	2236 / 2196	2258 / 2218	h <sub>6</sub> (mm)	Height of Cabin (High/Intermediate) ○	4.7.1	
1129	1129	1149	h <sub>7</sub> (mm)	Seat height relating to SIP / stand height ✕	4.8	
349	349	369	h <sub>10</sub> (mm)	Coupling height	4.12	
3528	3589	3696	l <sub>1</sub> (mm)	Overall length	4.19	
2528	2589	2696	l <sub>2</sub> (mm)	Length to face of forks	4.20	
1140	1140	1206	b <sub>1</sub> / b <sub>2</sub> (mm)	Overall width	4.21	
40 x 100 x 1000	40 x 100 x 1000	50 x 125 x 1000	s/e/l (mm)	Fork dimensions ISO 2331	4.22	
IIA	IIA	IIIA		Fork carriage ISO 2328, class / type A, B	4.23	
1067	1067	1067	b <sub>3</sub> (mm)	Fork carriage width ●	4.24	
80	80	100	m <sub>1</sub> (mm)	Ground clearance, laden, below mast	4.31	
190	190	210	m <sub>2</sub> (mm)	Ground clearance, centre of wheelbase	4.32	
3849	3907	4002	A <sub>st</sub> (mm)	Aisle width for pallets 1000 × 1200 crossways	4.34.1	
4049	4107	4202	A <sub>st</sub> (mm)	Aisle width for pallets 800 × 1200 crossways	4.34.2	
2178	2236	2324	W <sub>a</sub> (mm)	Turning radius	4.35	
629	629	618	b <sub>13</sub> (mm)	Internal turning radius	4.36	
415	415	435	(mm)	Step height	4.43	
18.4 / 18.6	18.4 / 18.6	19.8 / 20.0	km/h	Travel speed, laden / unladen	5.1	Performance data
0.65 / 0.68	0.65 / 0.68	0.57 / 0.60	m/s	Lift speed, laden / unladen	5.2	
0.58 / 0.50	0.58 / 0.50	0.58 / 0.50	m/s	Lowering speed, laden / unladen	5.3	
18.6 / 10.5	18.4 / 10.1	16.8 / 11.6	N	Drawbar pull, laden / unladen	5.5	
23.9 / 30.2	20.2 / 26.5	16.2 / 26.1	%	Gradeability, laden / unladen *	5.7	
4.7 / 4.4	5.0 / 4.4	5.4 / 4.6	s	Acceleration time, laden/unladen **	5.9	
Hydraulic	Hydraulic	Hydraulic		Service brake	5.10	
PSI 2.4L	PSI 2.4L	PSI 2.4L		Engine manufacturer/type	7.1	Combustion engine
46.0	46.0	46.0	kW	Engine power according to ISO 1585	7.2	
2700	2700	2700	rpm	Rated speed	7.3	
4 / 2351	4 / 2351	4 / 2351	(-) cm <sup>3</sup>	Number of cylinders/displacements	7.4	
2.5	2.8	3.1	l/h or kg/h	Fuel consumption according to VDI cycle	7.5	
Automatic	Automatic	Automatic		Type of drive unit	8.1	
0-155	0-155	0-155	bar	Operating pressure for attachments	10.1	Addition data
60	60	60	l/min	Oil volume for attachments	10.2	
42	42	42	litres	Hydraulic oil tank, capacity	10.3	
-	-	-	litres	Fuel tank, capacity	10.4	
79	79	79	dB(A)	Sound pressure level at the driver's seat ★	10.7	
102	102	102	dB(A)	Sound power level during the workcycle	10.7.1	
Pin	Pin	Pin		Towing coupling, type DIN	10.8	

All values are nominal values and they are subject to tolerances.  
For further information, please contact the manufacturer.

Yale products might be subject to change without notice.  
Lift trucks illustrated may feature optional equipment.

Values may vary with alternative configurations.

# MX series

Models: GDP/GLP 20MX, 25MX, 30MX



## HYSTER-YALE UK LIMITED

trading as **Yale Europe Materials Handling**  
Centennial House, Frimley Business Park,  
Frimley, Surrey GU16 7SG, United Kingdom.


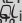
Tel: +44 (0) 1276 538500  
Fax: +44 (0) 1276 538559

[www.yale-forklifts.eu](http://www.yale-forklifts.eu)



Publication part no. 220990474 Rev.03 Printed in The Netherlands (1019HG) EN.

**Safety:** This truck conforms to the current EU requirements. Specification is subject to change without notice.

Yale, VERACITOR and  are registered trademarks. "PEOPLE, PRODUCTS, PRODUCTIVITY", PREMIER, Hi-Vis, and CSS are trademarks in the United States and certain other jurisdictions. MATERIALS HANDLING CENTRAL and MATERIAL HANDLING CENTRAL are Service Marks in the United States and certain other jurisdictions.  is a Registered Copyright.

©Yale Europe Materials Handling 2019. All rights reserved. Truck shown with optional equipment.  
Country of Registration: England and Wales. Company Registration Number: 02636775